

**SINGER**  
**460K50,K51,K80,K81**

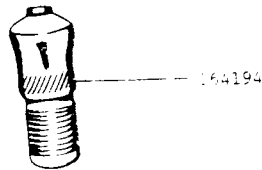
**Parts Chart  
for  
SINGER  
460k50  
460k51  
460k80  
and  
460k81  
Machines**

Form K6963  
(270)

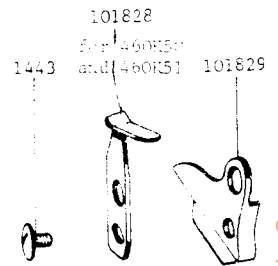
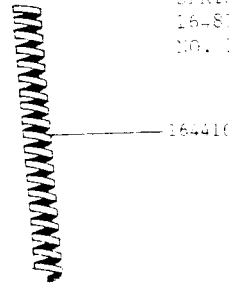
\*Trademark of the Singer Company.  
Copyright (C) 1969 by the Singer Company.  
All rights reserved throughout the World.

Printed in  
Great Britain.

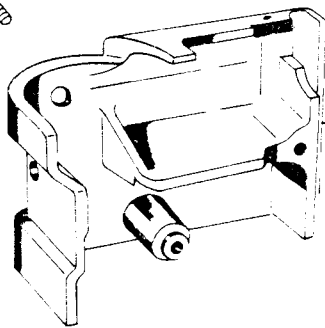
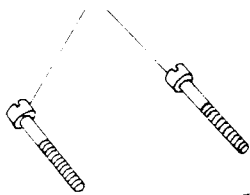
# SINGER 460k50 460k51 460k80 and 460k81



NOTE: IF A HEAVIER SPRING IS REQUIRED  
SPRING NO. 164814 WITH CAP NO.  
164815 SHOULD BE ORDERED OR SPRING  
NO. 16-144 ONLY.

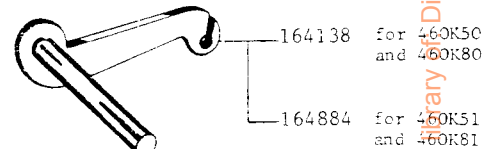
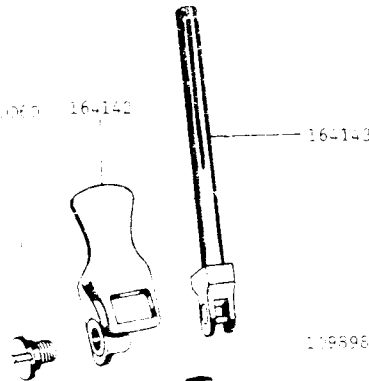


50571  
(2) for 460K50 and 460K51  
(3) for 460K80 and 460K81

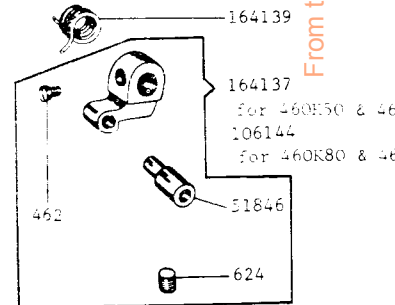
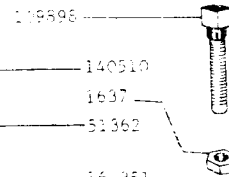


164515-002  
for 460K50  
and 460K51  
106144  
for 460K80  
and 460K81

50070 16-142



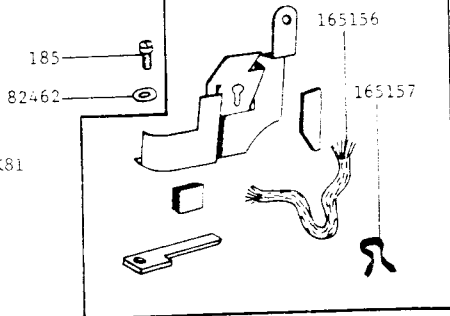
for 460K50  
and 460K80  
for 460K51  
and 460K81



for 460K50 & 460K51  
106144  
for 460K80 & 460K81

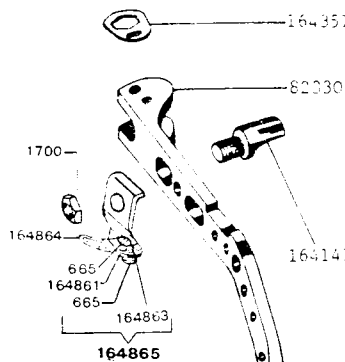
164516-002  
for 460K50 and 460K51

1637  
109898  
164515-002

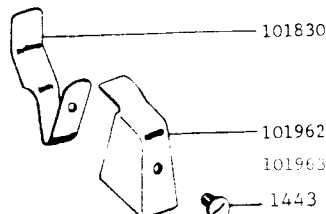


106258  
for 460K80 and 460K81

1637  
109898  
106148



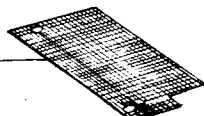
185  
82462

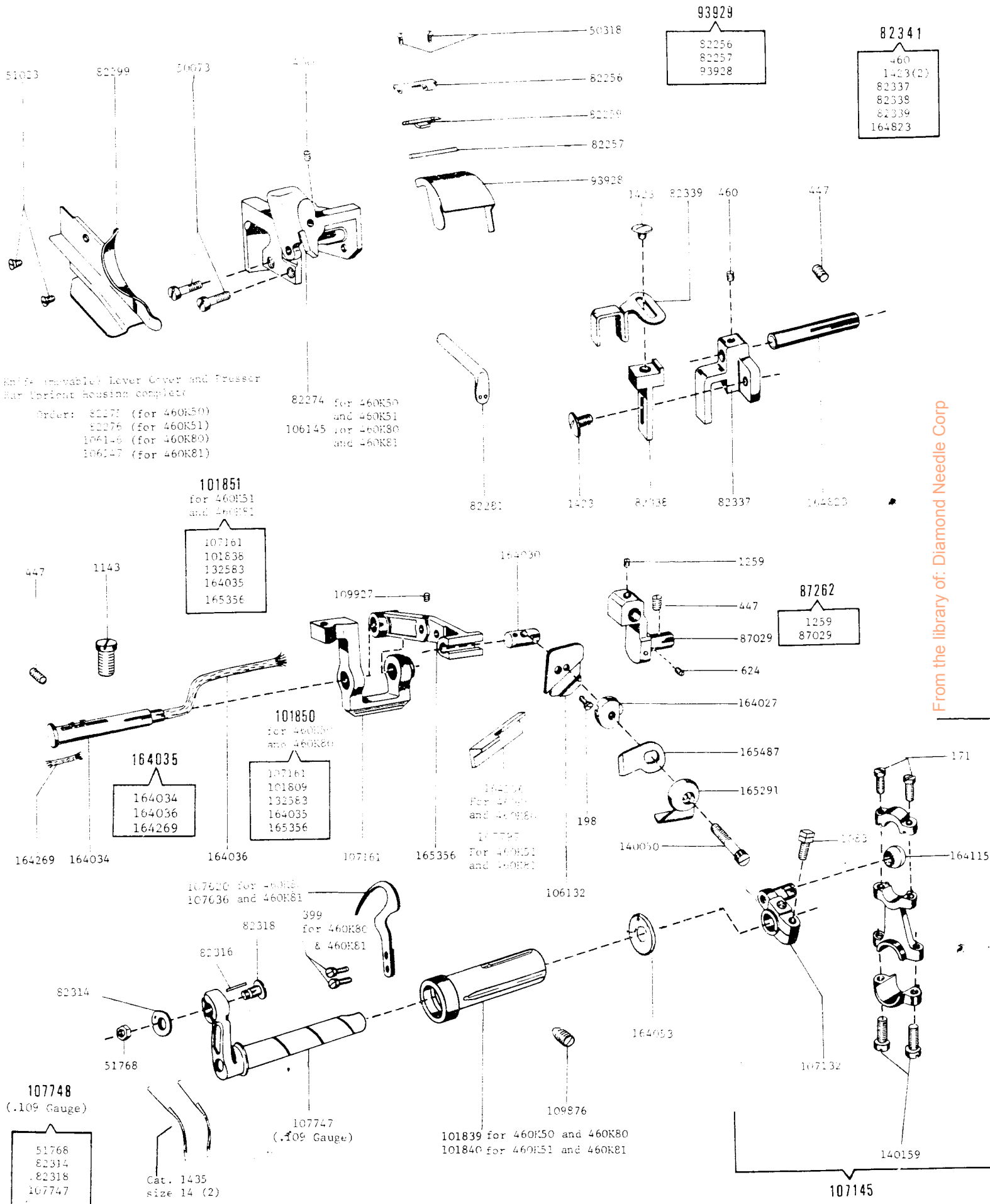


101962 for 460K50 and 460K80  
101963 for 460K51 and 460K81

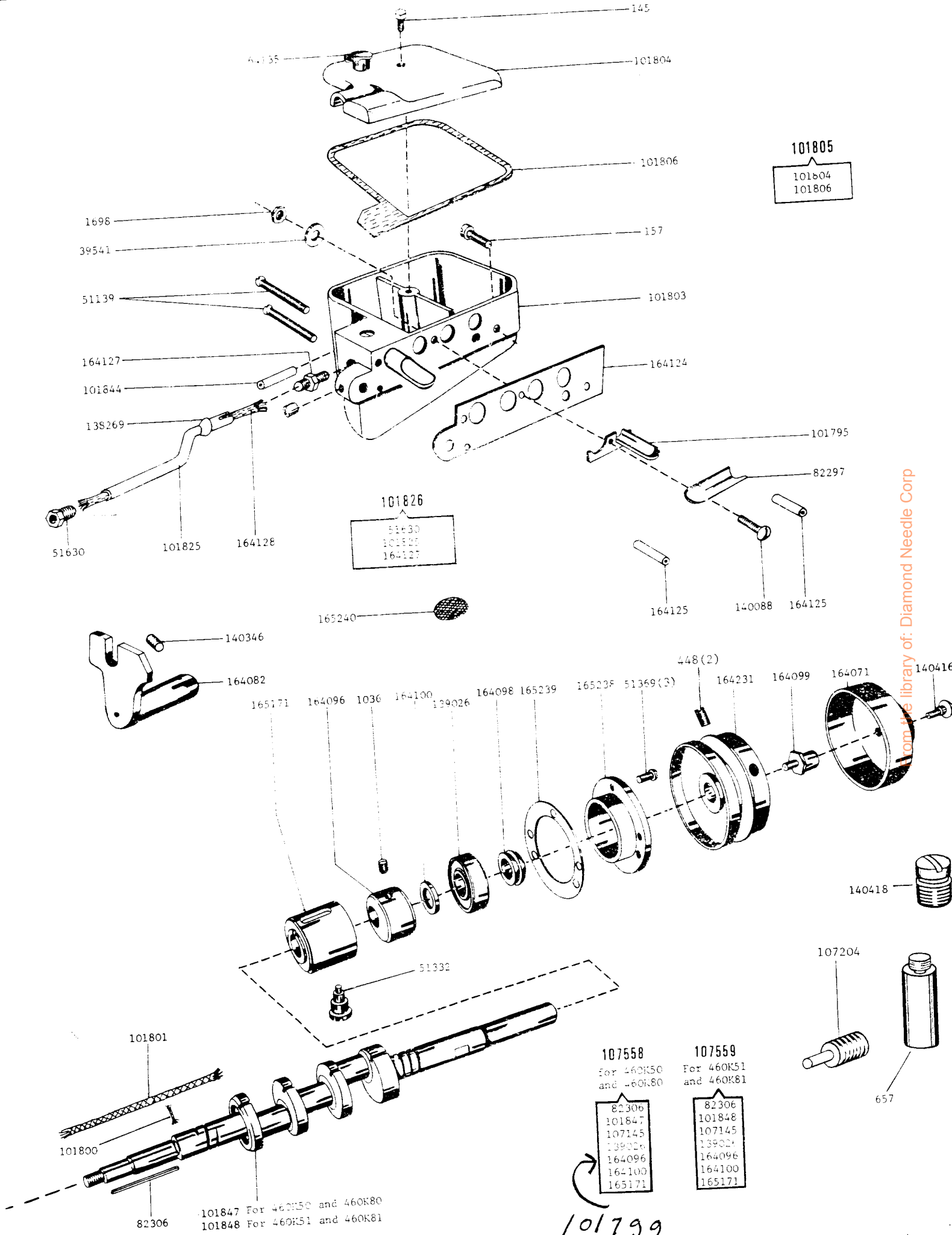
82505  
for  
460K50 and 460K51

101928





From the library of: Diamond Needle Corp



101805  
101804  
101806

101826  
51230  
101825  
164127

101826  
51230  
101825  
164127

107558  
For 460K50  
and 460K80

82306  
101847  
107145  
139026  
164096  
164100  
165171

107559  
For 460K51  
and 460K81

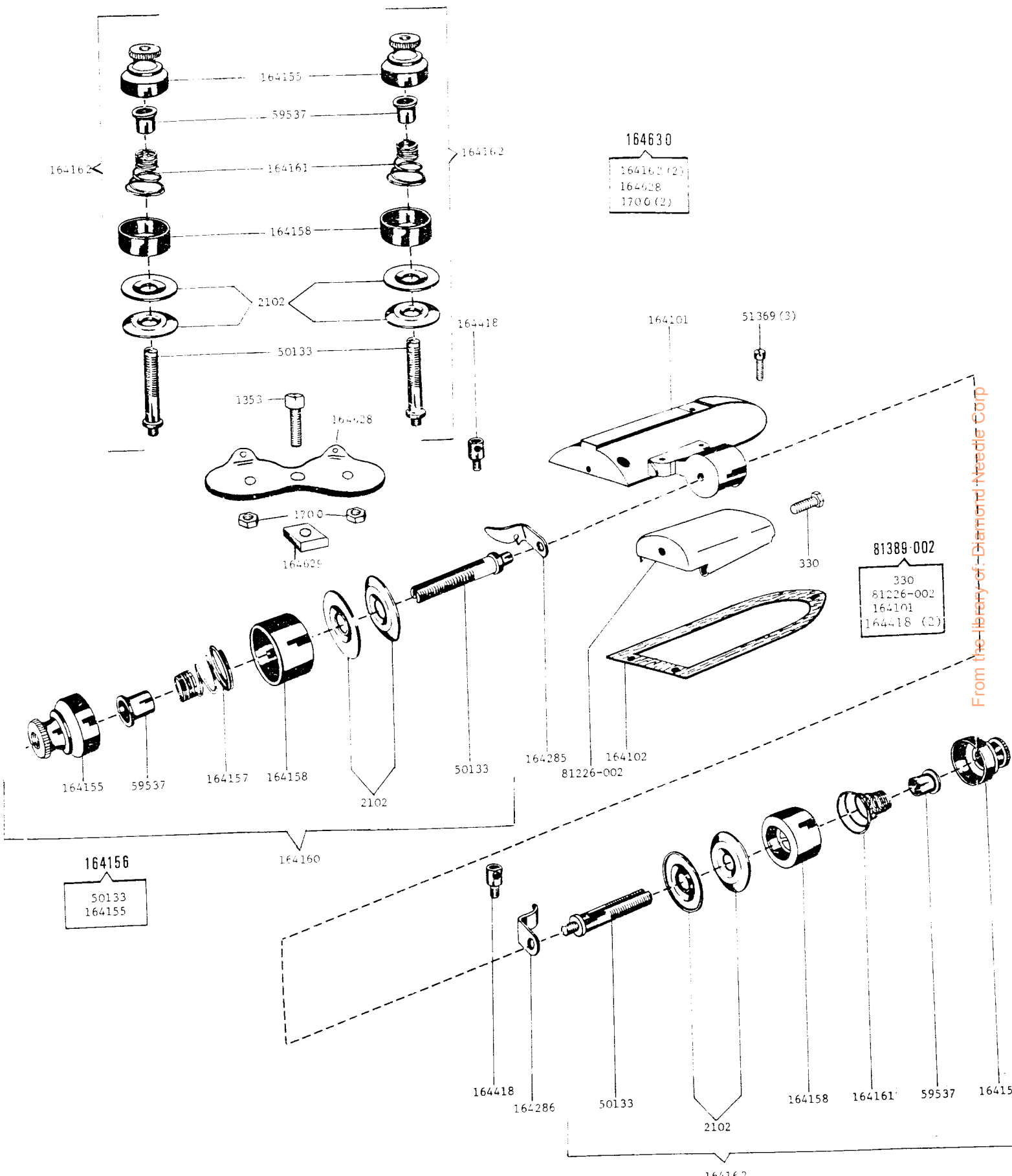
82306  
101848  
107145  
139026  
164096  
164100  
165171

101847 For 460K50 and 460K80  
101848 For 460K51 and 460K81

101799

SECTION 3.

From the library of: Diamond Needle Corp

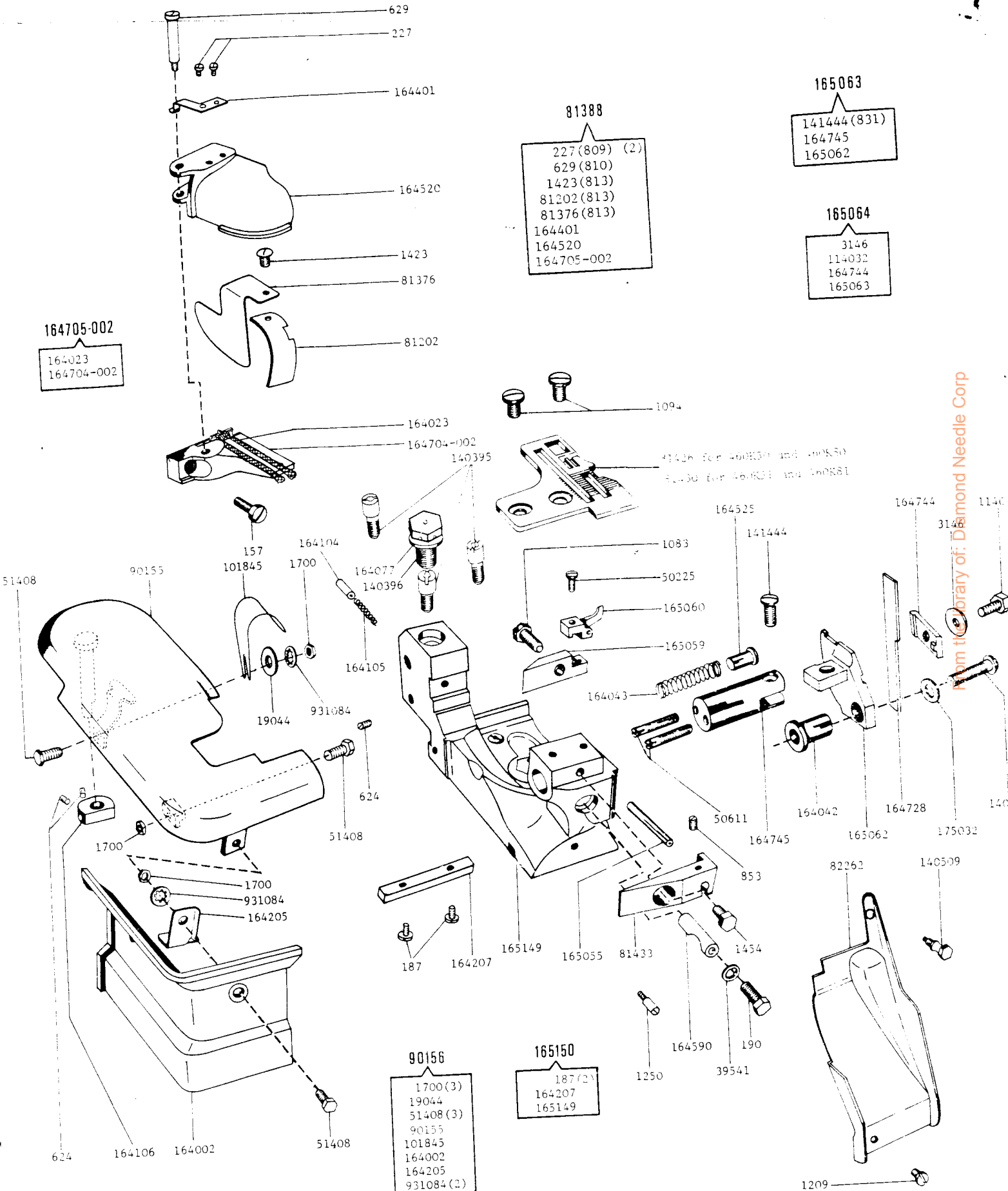


164630  
 164162 (2)  
 164628  
 1700 (2)

81389-002  
 330  
 81226-002  
 164101  
 164418 (2)

164156  
 50133  
 164155

From the library of: Diamond Needle Corp



164705-002  
164023  
164704-002

81388  
227(809) (2)  
629(810)  
1423(813)  
81202(813)  
81376(813)  
164401  
164520  
164705-002

165063  
141444(831)  
164745  
165062

165064  
3146  
114032  
164744  
165063

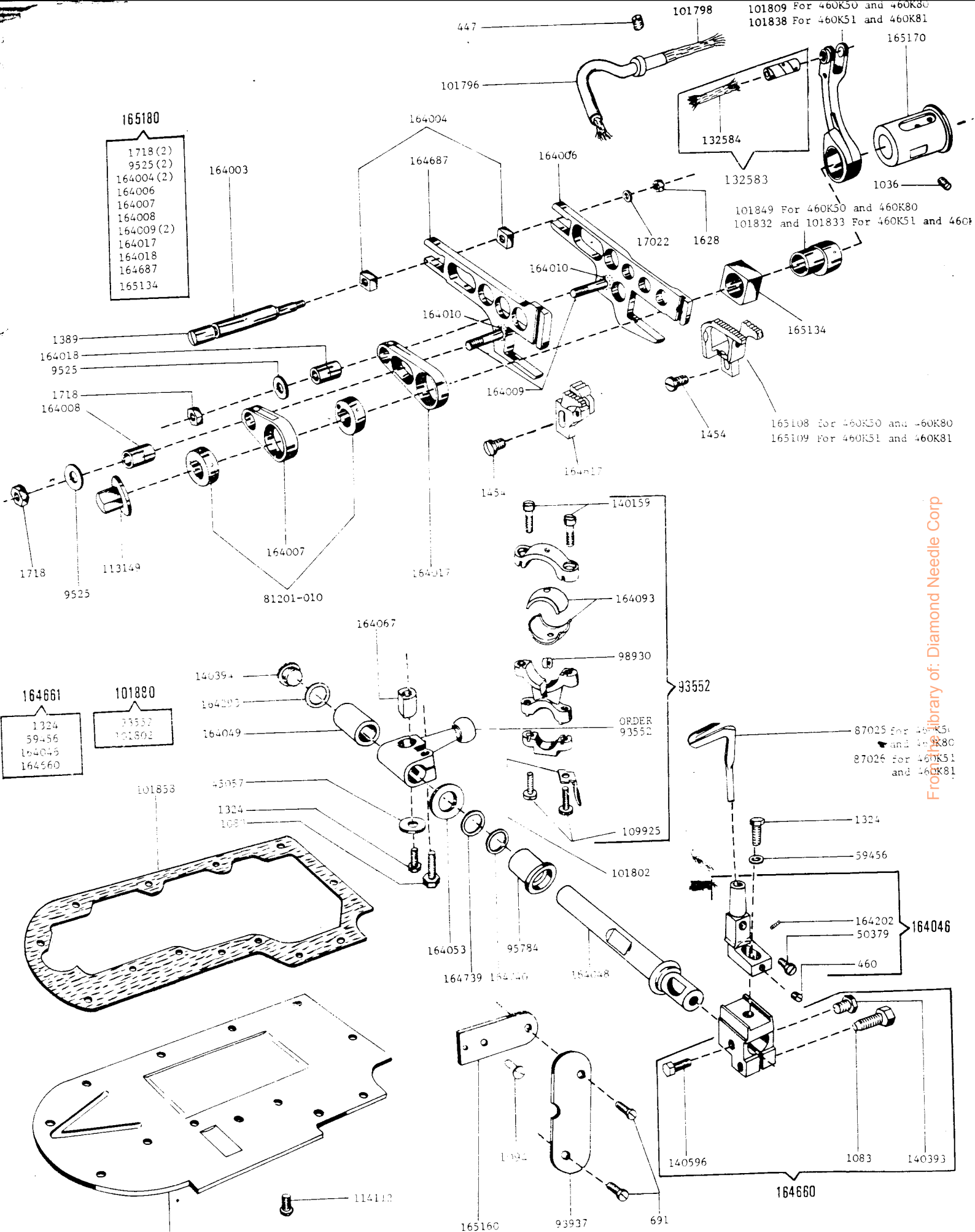
90156  
1700(3)  
19044  
51408(3)  
90155  
101845  
164002  
164205  
931084(2)

165150  
187721  
164207  
165149

41126 for 460830 and 460830  
41130 for 460831 and 460881

From the Library of: Diamond Needle Corp

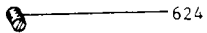
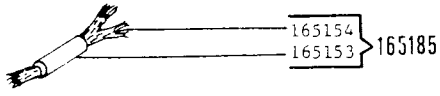
1209



SECTION 6. 164074

From the Library of: Diamond Needle Corp

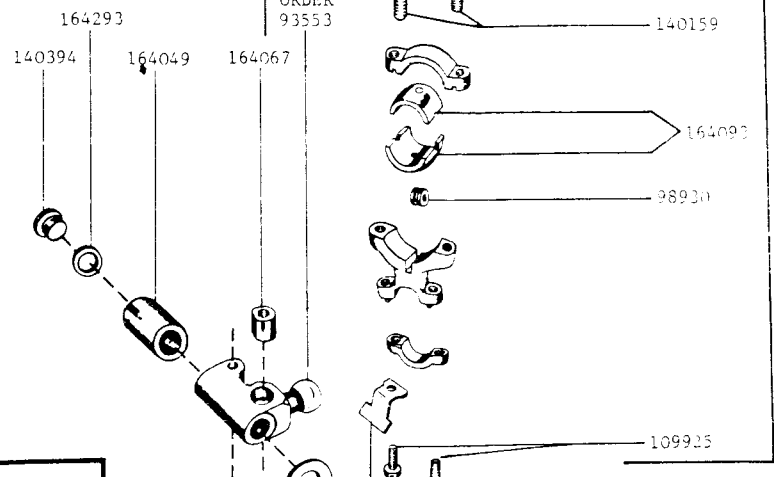




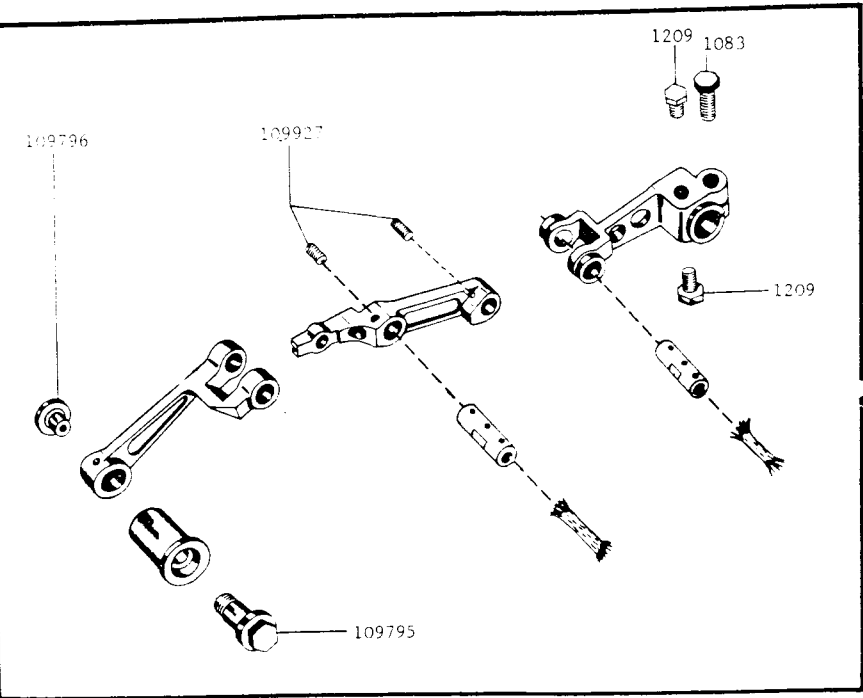
101881

93553  
101802

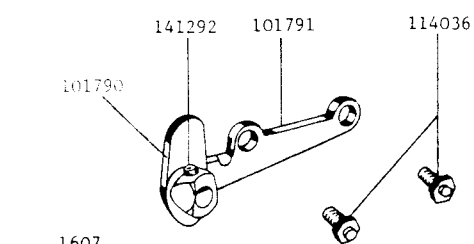
87027 For 460K50 and 460K80  
87028 for 460K51 and 460K81



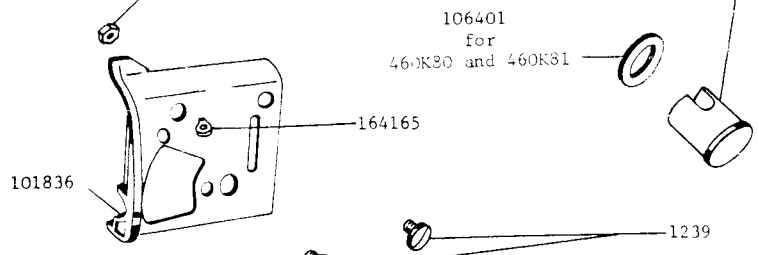
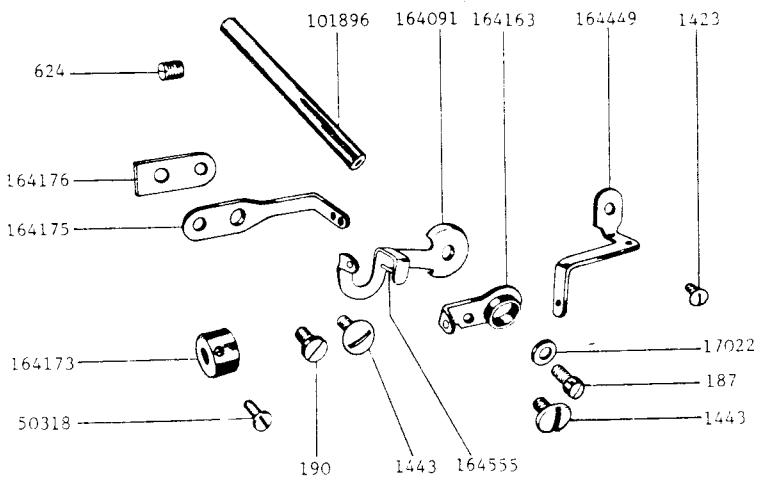
ORDER  
93553



101789  
MUST BE ORDERED  
AS A UNIT



165522  
for  
460K50 and 460K51  
107511  
for  
460K80 and 460K81



164206 for 460K50 and 460K51  
107793 for 460K80  
107794 for 460K81

164168  
164169  
164170

101837  
for 460K50 and 460K51

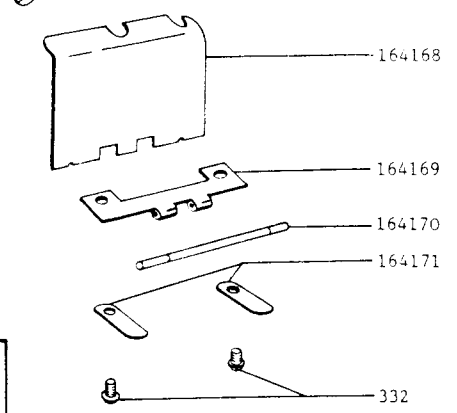
332(2)	164165
1423	101896
1443	164171
1607	164173
50318	164206
101836	164449
164163	

107885  
for  
460K81

107884  
for  
460K80

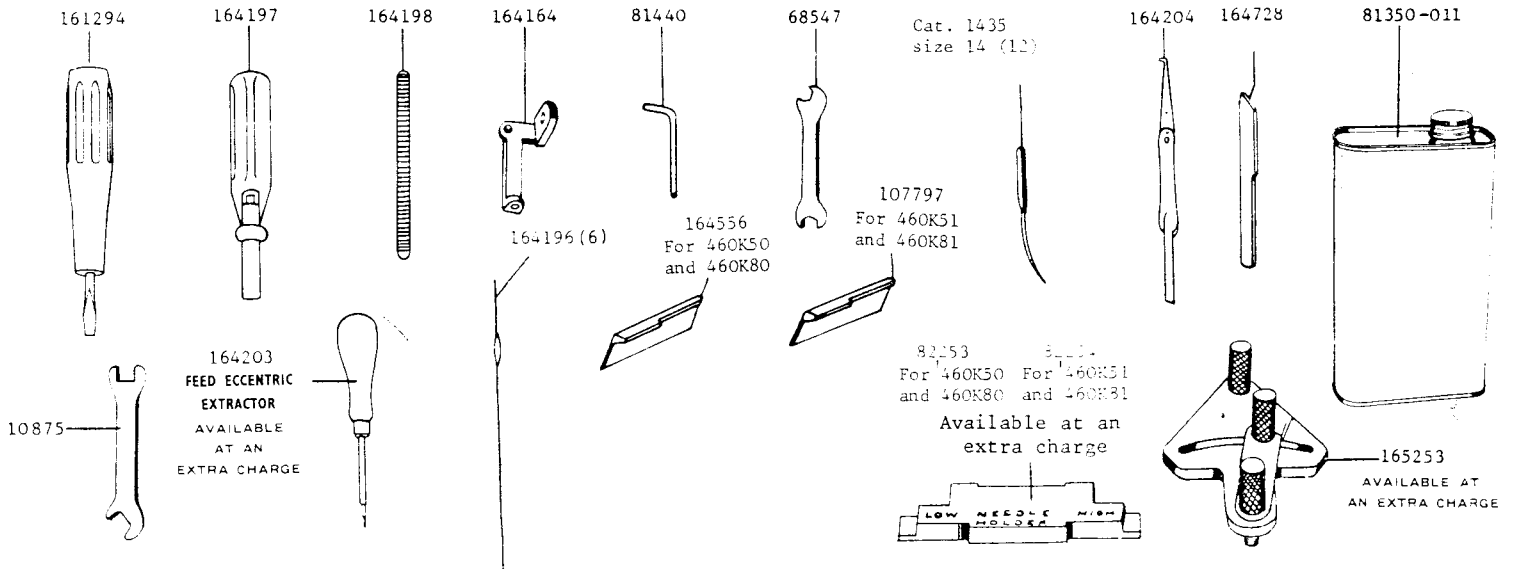
332(2)	107794
1423	164163
1443	164165
1607	164171
50318	164173
101836	164449
101896	

332(2)	107793
1423	164163
1443	164165
1607	164171
50318	164173
101836	164449
101896	



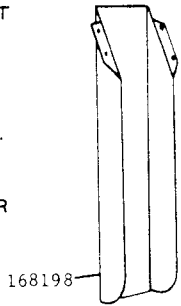
From the library of: Diamond Needle Corp

# Accessories



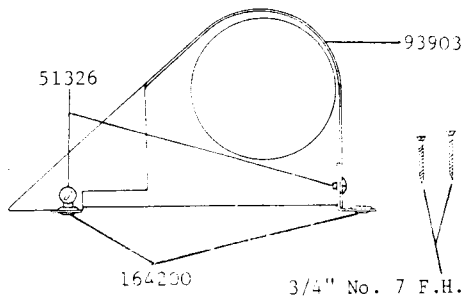
## CHIP CHUTE

SUPPLIED ONLY WHEN SPECIFIED ON ORDER, AT NO EXTRA CHARGE, FOR ALL TERRITORIES EXCEPT U.S.A. AND CANADA. REGULARLY SUPPLIED FOR U.S.A. AND CANADA.



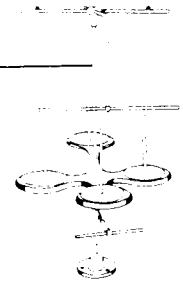
## BELT GUARD

93904 51326(809) (2) 93903 164200 (2) 3/4" No. 7 F.H. (2)



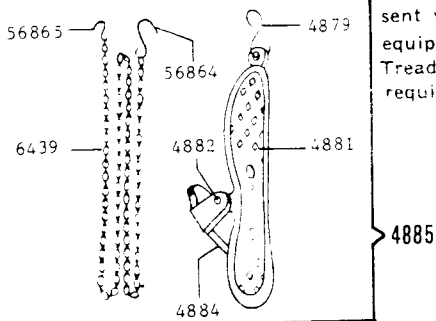
## THREAD UNWINDER

81444 (Four Spools)



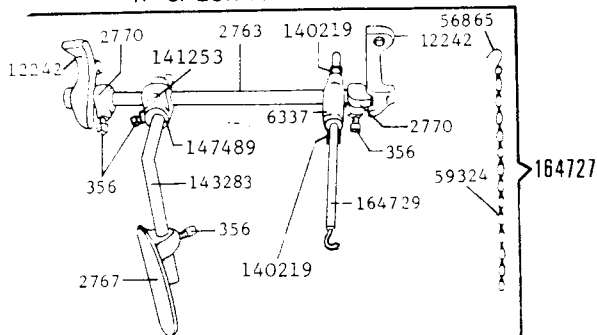
## FOOT LIFTER

NOTE: As the stand recommended for these machines include a Foot Lifter Treadle, only Chain 6439 will be sent with machine. If fitted to a stand or other equipment which does not include a Foot Lifter Treadle, orders should state that Treadle 4885 is required and it will be furnished without charge.

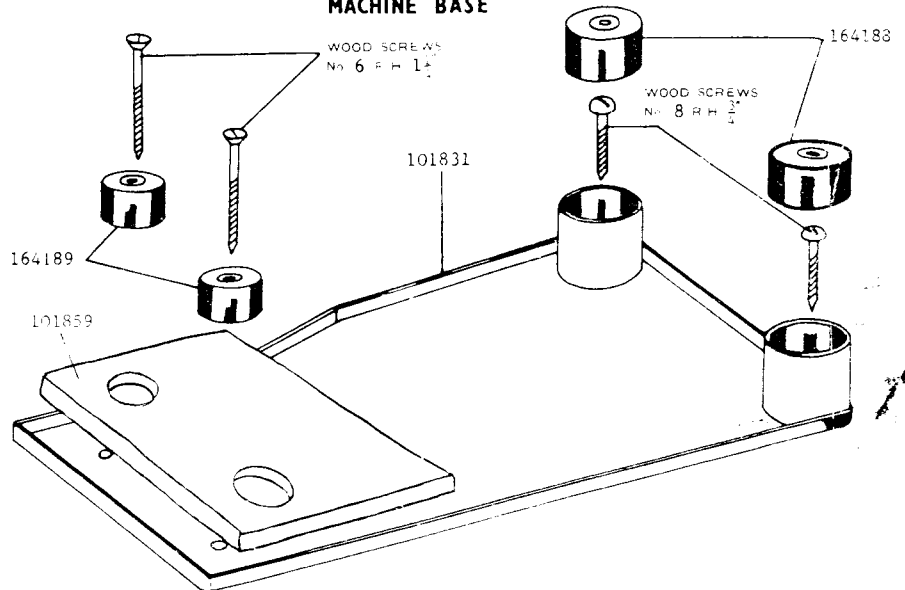


## KNEE LIFTER

AVAILABLE IN PLACE OF FOOT LIFTER IF SPECIFIED ON ORDER.



## MACHINE BASE



NUMERICAL LIST OF PARTS FOR SECTION 1.

Part No.	Description	Part No.	Description
185(809)	Machine Frame Bracket Oil Screen Screw	164137	Presser Bar Lifting Bracket with 462(830), 624(830) and 51846 for 460K50 and 460K51
185(809)	Machine Frame Oil Splash Guard (internal) Screw (bottom)	164138(809)	Presser Bar Lifting Lever for 460K50 and 460K80
462(830)	Presser Bar Lifting Bracket Set Screw (short)	164139	Presser Bar Lifting Lever Spring
624(830)	Presser Bar Lifting Bracket Set Screw (long)	164141	Presser Bar (swing-out) Lifting Screw Stud
665(809)	Chain Cutter Chain Retainer (Spring) Screw	164142(809)	Presser Bar (swing-out) Opening Lever
665(809)	Chain Cutter Knife Screw	164143(850)	Presser Bar (upright)
1443(809)	Machine Frame Oil Splash Guard (internal) Screw (top)	164144	Presser Bar (upright) Spring (heavy) (alternative to 164416)
1443(809)	Thread (needle) Controller Screw	164194	Pressure Regulating Thumb Screw
1637(810)	Presser Bar Lifting Bracket Stop Screw Nut	164351(809)	Presser Bar (swing-out) Pivot Screw Locking Plate
1700(809)	Presser Bar (swing-out) Lifting Screw Stud Nut	164416	Presser Bar (upright) Spring (heavy)
50060(810)	Presser Bar (swing-out) Opening Lever Hinge Screw	164515-002	Machine Frame Cover (back) for 460K50 and 460K51
50571(809)	Machine Frame Cover (back) Screw (long) - 2 for 460K50 and 460K51, 3 for 460K80 and 460K81	164516-002	Machine Frame Cover (back) 164515-002 with 1637(809) and 109898(803) for 460K50 and 460K51
51362(830)	Presser Bar (swing-out) Pivot Screw Locking Plate Screw	164627	Presser Foot
51846	Presser Bar Lifting Bracket Roller and Stud	164814	Presser Bar (upright) Spring (extra heavy) (alternative to 164416) (used with 164815)
82305	Machine Frame Bracket and Cover (back) Gasket (rubber) for 460K50 and 460K51	164815	Presser Bar (upright) Spring Spacing Collar (alternative to 164416) (used with 164814)
82330(850)	Presser Bar (swing-out)	164861	Chain Cutter Knife
82462	Machine Frame Bracket Oil Screen Screw Washer	164863	Chain Cutter Holder
82462	Machine Frame Oil Splash Guard (internal) Screw (bottom) Washer	164864	Chain Cutter Chain Retainer (spring)
101828	Thread (needle) Controller for 460K50 and 460K51	164865	Chain Cutter with Chain Retainer complete, Nos. 164861, 164863, 164864 and two 665(809)
101829	Oil Deflector	164884	Presser Bar Lifting Lever for 460K51 and 460K81
101830	Needle Driving Shaft Oil Shield	165156	Machine Frame Oil Splash Guard (internal) Oil Wick
101927	Machine Frame Oil Splash Guard (internal) complete with 165156 and 165157	165157	Machine Frame Oil Splash Guard (internal) Oil Wick Fastener
101928	Machine Frame Bracket Oil Screen		
101962	Lint Guard for 460K50 and 460K80		
101963	Lint Guard for 460K51 and 460K81		
106144	Presser Bar Lifting Bracket with 462(830), 624(830) and 51846 for 460K80 and 460K81		
106148	Machine Frame Cover (back) for 460K80 and 460K81		
106258	Machine Frame Cover (back) 106148 with 1637(809) and 109898(803) for 460K80 and 460K81		
109898(832)	Presser Bar Lifting Lever Stop Screw		
140510(803)	Presser Bar (swing-out) Pivot Screw		

NUMERICAL LIST OF PARTS FOR SECTION II

Part No.	Description	Part No.	Description
171(830)	Needle Driving Shaft Crank Connection Cap (upper) Screw	87262	Knife (movable) Lever Bearing and Attachment Bracket 87262 with 1259
198(809)	Knife (movable) Holder Screw	93928	Knife (movable) Hinged Cover
399(806)	Thread (needle) Controller Screw for 460K80 and 460K81	93929	Knife (movable) Hinged Cover 93928 with 82256 and 82257
447(830)	Knife (movable) Lever Bearing Set Screw (long)	101839	Needle Driving Shaft Bushing for 460K50 and 460K80
447(830)	Knife (movable) Lever Guide Holder Thread Tube Set Screw (Machine Frame End)	101840	Needle Driving Shaft Bushing for 460K51 and 460K81
447(830)	Knife (movable) Lever Hinge Stud Set Screw (back)	101850	Knife (movable) Lever 165356 with 107161, 101809, 132583 and 164035 for 460K50 and 460K80
460(830)	Knife (movable) Lever Guide Thread Tube Set Screw	101851	Knife (movable) Lever 165356 with 107161, 101838, 132583 and 164035 for 460K51 and 460K81
460(830)	Thread Eyelet (needle thread) Set Screw	106132	Knife (movable) Holder
624(830)	Knife (movable) Lever Bearing Set Screw (short)	106143	Knife (movable) Lever Cover and Presser Bar (upright) Housing with 460(830) for 460K80 and 460K81
1083(803)	Needle Driving Shaft Crank Clamping Screw	106146	Knife (movable) Lever Cover and Presser Bar (upright) Housing complete, Nos. 50060(810), 82259, 82281, 93929, 106144, 106145, 164138, 164139, 164142(809), 164143, 164194, 164416 and two 50318(809) for 460K80
1143(830)	Knife (movable) Lever Hinge Stud Set Screw (top)	106147	Knife (movable) Lever Cover and Presser Bar (upright) Housing complete, Nos. 50060(810), 82259, 82281, 93929, 106144, 106145, 164139, 164142, 164143, 164194, 164884 and two 50318(809) for 460K81
1259	Knife (movable) Lever Bearing and Attachment Bracket Screw		Needle Driving Shaft Crank with 1083(803)
1423	Knife (movable) Lever Guide and Needle Thread Bridge Bracket Screw		Needle Driving Shaft Crank Connection with 171(830), 140159(830), 107132 and 164115
1423	Knife (movable) Lever Guide and Needle Thread Bridge Eyelet Screw		Thread (needle) Controller for 460K80
50073(809)	Knife (movable) Lever Cover and Presser Bar (upright) Housing Screw		Thread (needle) Controller for 460K81
50318	Knife (movable) Hinged Cover Screw		Needle Driving Shaft (.109" Gauge) with 82316
51023(818)	Machine Frame Oil Splash Guard (top) Screw		Needle Driving Shaft (.109" Gauge) with 51768(803), 82314 and 82318
51768(803)	Needle Clamping Nut		Knife (movable) for 460K51 and 460K81
82256	Knife (movable) Hinged Cover Hinge		Needle Driving Shaft Bushing Locating Screw
82257	Knife (movable) Hinged Cover Pin		Knife (movable) Lever Hinge Pin Set Screw
82259	Knife (movable) Hinged Cover Spring		Knife (movable) Clamp Screw
107161	Presser Bar Bracket		Needle Driving Shaft Crank Connection Cap (lower) Screw
82274	Knife (movable) Lever Cover and Presser Bar (upright) Housing with 460(830) for 460K50 and 460K51		Knife (movable) Clamp
82275	Knife (movable) Lever Cover and Presser Bar (upright) Housing complete, Nos. 50060(810), 82259, 82274, 82281, 93929, 164137, 164138, 164139, 164142(809) for 460K50		Knife (movable) Holder Screw Bearing
82276	Knife (movable) Lever Cover and Presser Bar (upright) Housing complete, Nos. 50060(810), 82259, 82274, 82281, 93929, 164137, 164139, 164142, 164143, 164194, 164884 and two 50318 for 460K51		Knife (movable) Lever Hinge Stud
82281	Thread Eyelet (needle thread)		Knife (movable) Lever Hinge Stud 164034 with 164036 and 164269
82299	Machine Frame Oil Splash Guard (top)		Knife (movable) Lever Hinge Stud Oil Wick (long)
82314	Needle Clamp		Needle Driving Shaft Bushing Thrust Washer
82316	Needle Stop Pin		Needle Driving Shaft Crank Ball
82318	Needle Holder		Knife (movable) Lever Hinge Stud Oil Wick (short)
82337	Knife (movable) Lever Guide		Knife (movable) for 460K50 and 460K80
82338	Knife (movable) Lever Guide and Needle Thread Bridge Bracket		Knife (movable) Lever Guide Thread Tube
82339	Knife (movable) Lever Guide and Needle Thread Bridge Eyelet		Knife (movable) Guard (lower)
82541	Knife (movable) Lever Guide 82337 with 460(830), 82338, 82339, 164823 and two 1423		Knife (movable) Lever with 109927(869)
87029	Knife (movable) Lever Bearing and Attachment Bracket		Knife (movable) Guard (upper)

NUMERICAL LIST OF PARTS FOR SECTION 3.

Part No.	Description	Part No.	Description
145(809)	Oil Cooler Cover Screw	140418(805)	Machine Screw Stud (back)
157(803)	Oil Cooler Screw (short)	164071	Machine Pulley Cap
448(830)	Machine Pulley Set Screw	164082	Machine Frame Oil Plug Bracket
657(805)	Machine Screw Stud (front)	164096	Machine Frame Rotary Shaft Counterbalance with 1036(830)
1036(830)	Machine Frame Rotary Shaft Counterbalance Set Screw	164098	Machine Frame Rotary Shaft Oil Return and Ball Bearing Grease Retainer
1698(809)	Machine Frame Oil Lead Screw Nut	164099	Machine Frame Rotary Shaft Screw Stud
39541	Machine Frame Oil Lead Screw Washer	164100	Machine Frame Rotary Shaft Thrust Bearing
51139(809)	Oil Cooler Screw (long)	164124	Oil Cooler Gasket
51332(803)	Machine Frame Rotary Shaft Bushing (intermediate) Set Screw	164125	Oil Cooler Oil Pipe
51369(803)	Machine Frame Rotary Shaft Ball Bearing Housing Screw	164127	Oil Cooler Oil Tube Coupling
51630	Oil Cooler Oil Tube Lock Nut	164128	Oil Cooler Oil Tube Wick with Threading Wire
82297	Machine Frame Oil Lead	164135	Oil Cup for filling machine
82306	Machine Frame Rotary Shaft Key	164231	Machine Pulley with two 448(830)
101795	Machine Frame Oil Lead Tube Support	165171	Machine Frame Rotary Shaft Bushing (intermediate)
101800	Machine Frame Rotary Shaft Cross Wick	165238	Machine Frame Rotary Shaft Ball Bearing Housing
101801	Machine Frame Rotary Shaft Oil Wick (long)	165239	Machine Frame Rotary Shaft Ball Bearing Housing Gasket
101803	Oil Cooler complete with two 164125	165240	Machine Frame Rotary Shaft Bushing (intermediate) Oil Screen
101804	Oil Cooler Cover with 164135		
101805	Oil Cooler Cover 101804 with 101806		
101806	Oil Cooler Cover Gasket		
101825	Oil Cooler Oil Tube with 138269 and wick		
101844	Knife (movable) Lever Hinge Stud Oil Wick (long) Protection Sleeve		
101847	Machine Frame Rotary Shaft with 101800 and 101801 (for agents only) for 460K50 and 460K80		
101848	Machine Frame Rotary Shaft with 101800 and 101801 (for agents only) for 460K51 and 460K81		
107204	Machine Frame Oil Drain Plug		
107558	Machine Frame Rotary Shaft with 82306, 101847, 107145, 139026, 164096, 164100 and 165171 for 460K50 and 460K80		
107559	Machine Frame Rotary Shaft with 82306, 101848, 107145, 139026, 164096, 164100 and 165171 for 460K51 and 460K81		
138269	Oil Cooler Oil Tube Sleeve		
139026	Machine Frame Rotary Shaft Ball Bearing		
140088(813)	Machine Frame Oil Lead Screw		
140346(830)	Machine Frame Oil Plug Bracket Set Screw		
140416(841)	Machine Pulley Cap Screw		

NUMERICAL LIST OF PARTS FOR SECTION 4.

Part No.	Description
330(809)	Machine Frame Top Cover Oil Lead Screw
1353(830)	Tension (needle) Thread Guide Block Screw
1700(809)	Tension (heavy) Screw Stud Nut
2102	Tension Disc
50133(803)	Tension Screw Stud
51369(809)	Machine Frame Top Cover Screw
59537	Tension Spring Bushing
81226-002	Machine Frame Top Cover Oil Lead
81389-002	Machine Frame Top Cover 164101 with 330(809), 81226-002 and two 164418(809)
164101	Machine Frame Top Cover
164102	Machine Frame Top Cover Gasket
164155(809)	Machine Regulating Thumb Nut
164156	Tension Screw Stud 50133(803) with 164155(809)
164157	Tension (light) Spring
164158	Tension Spring Cover
164160	Tension (light) complete, Nos. 59537, 164156, 164157, 164158 and two 2102
164161	Tension (heavy) Spring
164162	Tension (heavy) complete, Nos. 59537, 164156, 164158, 164161 and two 2102
164285(809)	Tension (looper thread) Thread Guide (left)
164286(809)	Tension (looper thread) Thread Guide (right)
164418(809)	Tension Thread Eyelet
164628(810)	Tension (needle thread) Thread Guide (double)
164629(809)	Tension (needle) Thread Guide Spacing Block
164630	Tension (heavy) (double) complete, Nos. 164628(810), two each 1700(809) and 164162

NUMERICAL LIST OF PARTS FOR ACCESSORIES

Part No.	Description
356(803)	Knee Lifter Rock Shaft Knee Arm Hub Set Screw
356(803)	Knee Lifter Rock Shaft Knee Plate Set Screw
356(803)	Knee Lifter Rock Shaft Stop Dog Set Screw
2763	Knee Lifter Rock Shaft
2767	Knee Lifter Rock Shaft Knee Plate with 356(803)
2770	Knee Lifter Rock Shaft Stop Dog with 356(803)
4879	Foot Lifter Chain Connecting Link
4881	Foot Lifter Treadle
4882	Foot Lifter Treadle Shaft
4884	Foot Lifter Treadle Stand
4885	Treadle complete, Nos. 4879, 4881 to 4884 and two wood screws 1" No. 16 F.H. (only supplied if specified on order at no extra charge)

Part No.	Description
6337	Knee Lifter Rock Shaft Lifting Bracket with two 140219(803)
6439	Foot Lifter Chain with 56864 and 56865
10875	Wrench
12242	Knee Lifter Rock Shaft Hanger with two wood screws 1" No. 10
51326(809)	Belt Guard Screw
56864	Foot Lifter Chain Hook (large)
56865	Foot Lifter Chain Hook (small)
56865	Knee Lifter Chain Hook (small)
59324	Knee Lifter Chain (8" long) with 56865
685-7	Wrench
81350-011	Tin of Oil (1 pint, type H)
81440	Key for 1/16" Allen Head Screws
81444	Thread Unwinder (4 spools)
82253	Gauge for 460K50 and 460K80 (supplied at an extra charge)
82254	Gauge for 460K51 and 460K81 (supplied at an extra charge)
82261	Knife (movable) for 460K51 and 460K81
93903	Belt Guard
93904	Belt Guard complete, Nos. 93903, two each 51326(809), 164200 and wood screws 3/4" No. 7 F.H.
101831	Machine Base with two each wood screws sizes 3/4" No. 8 R.H. and 1/2" No. 6 F.H.
101859	Machine Pad (felt)
140219(803)	Knee Lifter Rock Shaft Lifting Bracket Hook Set Screw
140219(803)	Knee Lifter Rock Shaft Lifting Bracket Set Screw
141253(830)	Knee Lifter Rock Shaft Knee Arm Hub Clamping Screw
143283	Knee Lifter Rock Shaft Knee Arm
147489	Knee Lifter Rock Shaft Knee Arm Hub with 356(830) and 141253(830)
161294	Screw Driver
164164	Thread (looper, right hand) Thread Eyelet (movable)
164188	Machine Cushion (large)
164189	Machine Cushion (small)
164196	Threader
164197	Wrench (socket)
164198	Presser Bar Lifting Chain
164200	Belt Guard Bracket (back)
164203	Feed Eccentric Extractor (supplied at an extra charge)
164204	Tweezers
164556	Knife (movable) for 460K50 and 460K80
164727	Knee Lifter complete (supplied in place of Foot Lifter if specified on order)
164728	Knife (stationary)
164729	Knee Lifter Rock Shaft Lifting Bracket Hook
165253	Gauge (available at an extra charge)
168198	Chip Chute (supplied only when specified on order for all territories except U.S.A. and Canada at no extra charge. Regularly supplied for U.S.A. and Canada at no extra charge.)

NUMERICAL LIST OF PARTS FOR SECTION 5.

Part No.	Description	Part No.	Description
157(803)	Feed Eccentric Cover Bracket Screw	140395(805)	Machine Frame Bracket Screw (small)
187(805)	Machine Frame Bracket Key Screw	140396(805)	Machine Frame Bracket Screw (large)
190(805)	Knife (stationary) and Needle Guard Holder Adjusting Stud	140509(809)	Chip Guard Screw (upper)
	Cap Screw	141444(831)	Knife (stationary) and Needle Guard Holder Screw
227(809)	Feed Eccentric Cover Latch Spring	164002	Cloth Plate Extension
	Screw	164003	Feed Eccentric Oil Wick
624(830)	Cloth Plate Plunger Set Screw	164042	Knife (stationary) and Needle Guard Holder Sleeve
624(830)	Cloth Plate Position Collar Set Screw	164043	Knife (stationary) and Needle Guard Holder Spring
629(810)	Feed Eccentric Cover Hinge Screw	164077	Machine Frame Bracket Screw (large)
853(830)	Looper (left hand) Thread Tube Set Screw		Washer (fibre)
1083(805)	Needle Guard Holder Screw	164104	Cloth Plate Plunger
1094(806)	Throat Plate Screw	164105	Cloth Plate Plunger Spring
1209(809)	Chip Guard Screw (lower)	164106	Cloth Plate Position Collar with two 814-830)
1250(830)	Cloth Plate Lock Spring Retaining Screw Stud	164205	Cloth Plate Lock Spring
1423(813)	Feed Eccentric Cover Bracket Oil Cover Screw	164207	Machine Frame Bracket Key
1454(805)	Throat Plate Guide Screw	164401	Feed Eccentric Cover Latch Spring
1700(809)	Cloth Plate Extension Screw Nut	164520	Feed Eccentric Cover
1700(809)	Cloth Plate Lock Spring Nut	164525	Knife (stationary) and Needle Guard Holder Spring Stud
1700(809)	Cloth Plate Position Screw Nut		Knife (stationary) and Needle Guard Holder Adjusting Stud
3146	Knife (stationary) Clamping Gib Screw Washer	164704-002	Feed Eccentric Cover Bracket
19044	Feed Eccentric Cover Closing Spring Washer	164705-002	Feed Eccentric Cover Bracket
39541	Knife (stationary) and Needle Guard Holder Adjusting Stud Cap Screw Washer		164701-P21 with 164023
50225(809)	Needle Guard Screw	164728	Knife (stationary)
50611(803)	Knife (stationary) and Needle Guard Holder Position Screw	164744	Knife (stationary) Clamping Gib
51408(830)	Cloth Plate Extension Screw	164745	Knife (stationary) and Needle Guard Holder Body with two 30611(803)
51408(830)	Cloth Plate Lock Spring Screw		Looper (left hand) Thread Tube
51408(830)	Cloth Plate Position Screw	165055	Needle Guard Holder
81202(813)	Feed Eccentric Cover Bracket Oil Cover	165060	Needle Guard
81376(813)	Feed Eccentric Cover Bracket Splash Guard	165062	Knife (stationary) and Needle Guard Holder
81388	Feed Eccentric Cover complete, Nos. 629(810), 1423(813), 81202(813), 81376(813), 164401, 164520, 164705-002 and two 227(809)	165064	Knife (stationary) and Needle Guard Holder (adjustable) complete, Nos. 141444(831), 164745, and 165062
81426	Throat Plate for 460851 and 460851		Knife (stationary) and Needle Guard Holder (adjustable) with Gib complete, Nos. 3146, 11-032(803), 164744 and 165063
81430	Throat Plate for 460851 and 460851	165149	Machine Frame Bracket
81433	Throat Plate Guide with 353(830)	165150	Machine Frame Bracket Assembly, Nos. 164704, 165149 and two 187(805) (for agents only)
82262	Chip Guard	175032	Knife (stationary) and Needle Guard Holder Sleeve Screw Washer
90155	Cloth Plate	931081(809)	Cloth Plate Extension Screw Nut Lock Washer
90156	Cloth Plate with Extension complete, Nos. 19044, 90155, 101845, 164002, 164205, two 811(809), three each 1700(809) and 51408(830)	931081(809)	Cloth Plate Lock Spring Nut Lock Washer
101845	Feed Eccentric Cover Closing Spring		
114032(803)	Knife (stationary) Clamping Gib Screw		
140088(805)	Knife (stationary) and Needle Guard Holder Sleeve Screw		

NUMERICAL LIST OF PARTS FOR SECTION 6.

Part No.	Description	Part No.	Description
447(830)	Machine Frame Oil Tube (bent) Set Screw	109925(830)	Looper (left hand) Driving Shaft Crank Connection Cap (Lower) Screw
460(830)	Looper (left hand) Carrier Screw Set Screw	113149	Machine Frame Rotary Shaft Nut
691(803)	Machine Frame Wearing Plate Screw	114112(813)	Machine Frame Bottom Cover Screw
1036(830)	Machine Frame Rotary Shaft Bushing (front) Set Screw	132583	Knife (movable) Lever Hinge Pin with 132584
1083(803)	Looper (left hand) Carrier Holder Clamping Screw	132584	Knife (movable) Lever Hinge Pin Oil Wick
1083(803)	Looper (left hand) Driving Shaft Crank Clamping Screw	140159(830)	Looper (left hand) Driving Shaft Crank Connection Cap (upper) Screw
1094(803)	Machine Frame Wearing Plate Spacer Screw	140393(830)	Looper (left hand) Carrier Holder Set Screw (right)
1100(830)	Feed (back) Dog Section (right) Screw	140394(805)	Looper (left hand) Driving Shaft Bushing (back) Cap Screw
1324(803)	Looper (left hand) Carrier Screw	140596(830)	Looper (left hand) Carrier Holder Set Screw (left)
1324(803)	Looper (left hand) Driving Shaft Crank Key Screw	164003	Feed Bar Hinge Pin (eccentric)
1389(830)	Feed Bar Hinge Pin Set Screw	164004	Feed Bar Slide Block (back)
1454(806)	Feed (back) Dog Screw	164006	Feed (front) Bar with 164010
1454(806)	Feed (front) Dog Screw	164007	Feed (back) Bar Connection
1628(803)	Feed Bar Slide Block (back) Nut	164008	Feed (back) Bar Connection Bearing
1718(803)	Feed (back) Bar Connection Hinge Screw Stud Nut	164009	Feed (back) Bar Connection Hinge Screw Stud
1718(803)	Feed (front) Bar Connection Hinge Screw Stud Nut	164009	Feed (front) Bar Connection Hinge Screw Stud
9525(803)	Feed (back) Bar Connection Hinge Screw Stud Nut Washer	164010	Feed (back) Bar Connection Hinge Screw Stud Position Pin
9525(803)	Feed (front) Bar Connection Hinge Screw Stud Nut Washer	164010	Feed (front) Bar Connection Hinge Screw Stud Position Pin
17022	Feed Bar Slide Block (back) Nut Washer	164017	Feed (front) Bar Connection
45057	Looper (left hand) Driving Shaft Crank Key Screw Washer	164018	Feed (front) Bar Connection Bearing
50379(806)	Looper (left hand) Set Screw	164046	Looper (left hand) Carrier with 460(830), 50379(806) and 164202
59456	Looper (left hand) Carrier Screw Washer	164048	Looper (left hand) Driving Shaft
81201-010	Feed (back) Eccentric (10 stitches per inch)	164049	Looper (left hand) Driving Shaft Bushing (back)
81201-010	Feed (front) Eccentric (10 stitches per inch)	164053	Looper (left hand) Driving Shaft Crank Thrust Bearing
87025	Looper (left hand) for 460K50 and 460K80	164067	Looper (left hand) Driving Shaft Crank Key
87026	Looper (left hand) for 460K51 and 460K81	164074	Machine Frame Bottom Cover
93552	Looper (left hand) Driving Shaft Crank Connection with 98930, two each 109925(830), 140159(830) and 164093	164093	Machine Frame Rotary Shaft Ball Sleeve (two pieces)
93937	Machine Frame Wearing Plate	164202	Looper (left hand) Stop Pin
95784	Looper (left hand) Driving Shaft Bushing (front)	164293	Looper (left hand) Driving Shaft Bushing (back) Cap Screw Washer
98930	Machine Frame Rotary Shaft Ball Sleeve Guide	164617	Feed (back) Dog
101796	Machine Frame Oil Tube (bent) with Wick	164660	Looper (left hand) Carrier Holder with 1083(803), 140393(830) and 140596(830)
101798	Machine Frame Oil Tube (bent) Wick with Threading Wire (for agents only)	164661	Looper (left hand) Carrier Holder 164660 with 1324(803), 59456 and 164046
101802	Oil Agitator	164687	Feed (back) Bar with 164010
101809	Thread (needle) Controller Lever for 460K50 and 460K80	164739	Looper (left hand) Driving Shaft Oil Ring (rubber)
101832	Feed Lifting Eccentric for 460K51 and 460K81	164740	Looper (left hand) Driving Shaft Oil Ring Spacer
101838	Thread (needle) Controller Lever for 460K51 and 460K81	165108	Feed (front) Dog for 460K50 and 460K80
101849	Feed Lifting and Knife (movable) Eccentric for 460K50 and 460K80	165109	Feed (front) Dog for 460K51 and 460K81
101858	Machine Frame Bottom Cover Gasket	165134	Feed Bar Slide Block (front)
101880	Looper (left hand) Driving Shaft Crank Connection 93552 with 101802	165160	Machine Frame Wearing Plate Spacer
		165170	Machine Frame Rotary Shaft Bushing (front)
		165180	Feed (back) and (front) Bars complete, Nos. 164006, 164007, 164008, 164017, 164018, 164687, 165134, two each 1718(803), 9525(803), 164004 and 164009



NUMERICAL LIST OF PARTS FOR SECTION 7.

Part No.	Description	Part No.	Description
187(805)	Thread (looper, right hand) Take-up Screw	107793	Thread (looper) Plate Cover 164168 with 164169 and 164170 for 460K80
190(805)	Thread (looper) Take-up Screw (lower)	107794	Thread (looper) Plate Cover 164168 with 164169 and 164170 for 460K81
332(809)	Thread (looper) Plate Cover Spring Screw	107884	Thread (looper) Plate complete, Nos. 1423(809), 1443(809), 1607(809), 50318(809), 101836, 101896, 107793, 164165, 164171, 164173 and 164449 for 460K80
624(830)	Machine Frame Oil Tube Set Screw	107885	Thread (looper) Plate complete, Nos. 1423(809), 1443(809), 1607(809), 50318(809), 101836, 101896, 107794, 164165, 164171, 164173 and 164449 for 460K81
624(830)	Thread (looper, right hand) Tube Set Screw	109795(803)	Looper (right hand) Carrier Connecting Link Adjusting Screw (front)
1083(803)	Looper (right hand) Driving Lever Clamping Screw	109796(803)	Looper (right hand) Carrier Connecting Link Adjusting Sleeve Cap Screw (back)
1083(803)	Looper (right hand) Driving Shaft Crank Clamping Screw	109925(830)	Looper (right hand) Driving Shaft Crank Connection Cap (lower) Screw
1209(830)	Looper (right hand) Driving Lever Clamping Screw	109927(869)	Looper (right hand) Carrier Hinge Pin Set Screw
1239(806)	Thread (looper) Plate Screw	109927(869)	Looper (right hand) Carrier Connecting Link Hinge Pin Set Screw
1324(803)	Looper (right hand) Driving Shaft Crank Key Screw	114036	Looper (right hand) Four-Bar Linkage Mechanism Stabiliser Securing Screw
1423(809)	Thread (looper, right hand) Thread Eyelet Screw	140159(830)	Looper (right hand) Driving Shaft Crank Connection Cap (upper) Screw
1443(809)	Thread (looper, right hand) Take-up Eyelet (adjustable) Screw	140394(805)	Looper (right hand) Driving Shaft Bushing (back) Cap Screw
1443(809)	Thread (looper) Take-up Screw (upper)	141292(830)	Looper (right hand) Four-Bar Linkage Mechanism Stabiliser Support Bracket Hub Screw
1607(809)	Thread (looper, right hand) Thread Eyelet (stationary) Nut	164049	Looper (right hand) Driving Shaft Bushing (back)
1700(809)	Looper (right hand) Locking Screw Stud Nut	164053	Looper (right hand) Driving Shaft Crank Thrust Washer
17022	Thread (looper, right hand) Take-up Screw Washer	164063	Looper (right hand) Driving Shaft
45057	Looper (right hand) Driving Shaft Crank Key Screw Washer	164067	Looper (right hand) Driving Shaft Crank Key
50318(818)	Thread (looper) Plate Thread Bushing Screw	164068	Looper (right hand) Locking Screw Stud
87027	Looper (right hand) for 460K50 and 460K80	164091	Thread (looper, right hand) Take-up with 164555
87028	Looper (right hand) for 460K51 and 460K81	164093	Machine Frame Rotary Shaft Ball Sleeve (two pieces)
93553	Looper (right hand) Driving Shaft Crank Connection with 98930, 164093, two each 109925(830) and 140159(830)	164163	Thread (looper, right hand) Take-up Eyelet (adjustable)
95785	Looper (right hand) Driving Shaft Bushing (front)	164165	Thread (looper, right hand) Thread Eyelet (stationary)
98930	Machine Frame Rotary Shaft Ball Sleeve Guide	164168	Thread (looper) Plate Cover
101788	Looper (right hand) Four-Bar Linkage Mechanism with Driving Lever complete, Nos. 1700(809), 101789 and 164068	164169	Thread (looper) Plate Cover Hinge
101789	Looper (right hand) Four-Bar Linkage complete	164170	Thread (looper) Plate Cover Hinge Pin
101790	Looper (right hand) Four-Bar Linkage Mechanism Stabiliser	164171	Thread (looper) Plate Cover Spring
101791	Looper (right hand) Four-Bar Linkage Mechanism Stabiliser Support Bracket with 141292(830)	164173	Thread (looper) Plate Thread Bushing
101802	Oil Agitator	164175	Thread (looper) Take-up
101836	Thread (looper) Plate with 624(830)	164176	Thread (looper) Take-up Plate
101837	Thread (looper) Plate complete, Nos. 1423(809), 1443(809), 1607(809), 50318(818), 101836, 164163, 164165, 101896, 164173, 164206, 164449, two each 332(809) and 164171 for 460K50 and 460K51	164206	Thread (looper) Plate Cover 164168 with 164169 and 164170 for 460K50 and 460K51
101881	Looper (right hand) Driving Shaft Crank Connection 93553 with 101802	164293	Looper (right hand) Driving Shaft Bushing (back) Cap Screw Washer (fibre)
101896	Thread (looper, right hand) Tube	164449	Thread (looper, right hand) Thread Eyelet (movable)
101970	Looper (right hand) Position Collar	164555	Thread (looper, right hand) Take-up Guide Wire
106401	Machine Frame Oil Sight Gauge Seal for 460K80 and 460K81	164739	Looper (right hand) Driving Shaft Oil Ring (rubber)
107511	Machine Frame Oil Sight Gauge for 460K80 and 460K81	164740	Looper (right hand) Driving Shaft Oil Ring (rubber)
		165153	Machine Frame Oil Tube
		165154	Machine Frame Oil Tube Wick
		165185	Machine Frame Oil Tube Nos. 165153 and 165154
		165522	Machine Frame Oil Sight Gauge (lucite) for 460K50 and 460K51

From the library of: Diamond Needle Corp